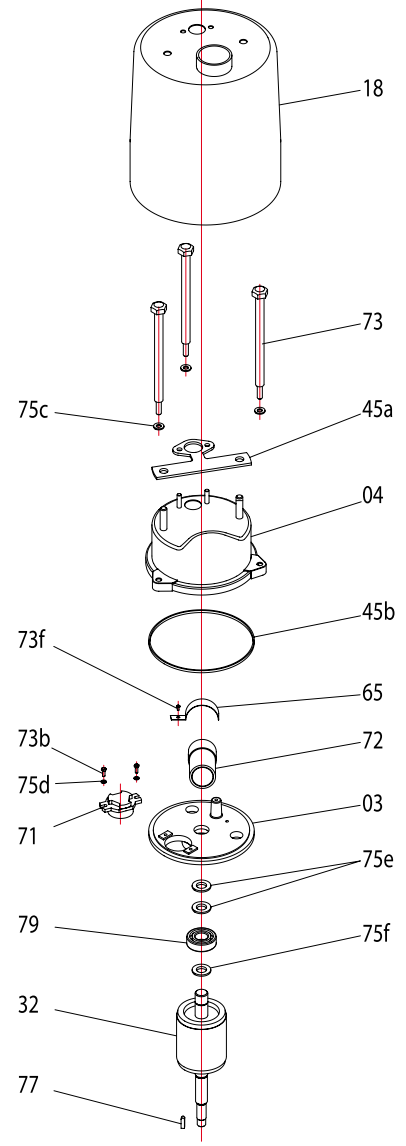
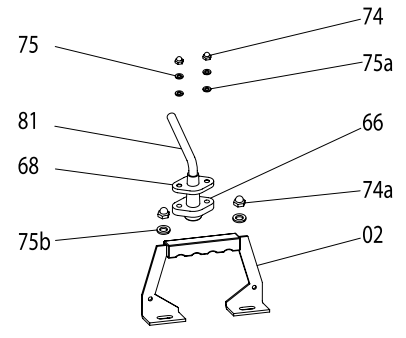
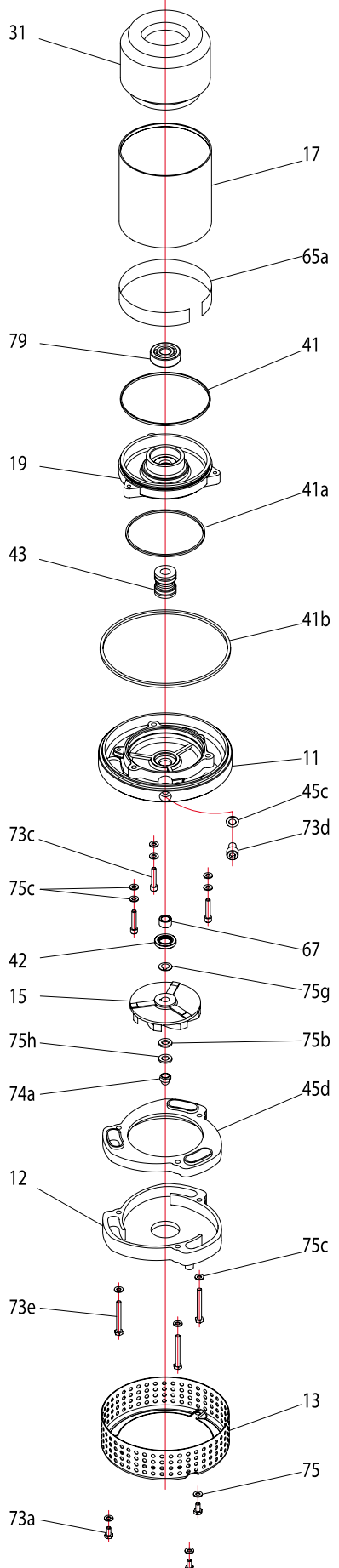


| Type    | A   | B   | C  | D   |
|---------|-----|-----|----|-----|
| FSS 400 | 334 | 293 | 72 | 184 |



| Index   | Code NO        | Description                 | Q'ty | Size                         | Material |
|---------|----------------|-----------------------------|------|------------------------------|----------|
| 02      | 02434          | Handle                      | 1    |                              | SUS-304  |
| 03      | 0336FS-0075    | Switch plate                | 1    |                              | FC-20    |
| 04      | 0443FS-0075    | Motor cover                 | 1    |                              | SUS-304  |
| 11      | 1143FSS0075    | Seal bracket                | 1    |                              | SUS-304  |
| 12      | 1243FS-0075    | Inlet plate                 | 1    |                              | SUS-304  |
| 13      | 13435505007    | Strainer                    | 1    | 5.5MM*50*176                 | SUS-304  |
| 15      | 1543FSS0075098 | Impeller                    | 1    | 98*20*8*11                   | SUS-304  |
| 17      | 1743125095     | Motor frame                 | 1    | 125*95H                      | SUS-304  |
| 18      | 1843FS-0040-1  | Outer case                  | 1    |                              | SUS-304  |
| 19      | 1943FSS0040    | Bearing bracket             | 1    |                              | SUS-304  |
| 31      | 311240204E3-B  | Stator                      | 1    | 125*60*40L 230V              |          |
| 32      | 321FS-0040     | Shaft/Rotor without Bearing | 1    | 125*60*40L                   |          |
| 41      | 411026-01      | O'ring                      | 1    | 2.62MM*120.3                 | N-70     |
| 41a     | 411031-01      | O'ring                      | 1    | 3.1MM*104.4                  | N-70     |
| 41b     | 411026-03      | O'ring                      | 1    | 2.62MM*165                   | N-70     |
| 42      | 4214315-01     | Oil seal                    | 1    | 15MM-30*5                    | SUS-304  |
| 43      | 432214-4       | Mech.seal                   | 1    | Double 14-4 SIC/SIC VS CM/CB |          |
| 45a     | 451FS-007510   | Gasket                      | 1    |                              | N-70     |
| 45b     | 452FS-015010   | Gasket                      | 1    |                              | N-70     |
| 45c     | 459010         | Gasket                      | 1    |                              | N-70     |
| 45d     | 454FSS004014   | Volute liner                | 1    |                              | NBR      |
| 65      | 65312          | Shim                        | 1    | 57MM                         |          |
| 65a     | 6531114        | Shim                        | 1    | 14MM                         |          |
| 66      | 66715090       | Cable gland                 | 1    |                              |          |
| 67      | 674315-01      | Shaft sleeve                | 1    | 15mm*11*1.05T                | SUS-304  |
| 68      | 68431          | Gland Holder                | 1    |                              | SUS-304  |
| 71      | 7127-03        | Thermal protector           | 1    | KA112 BBXL04                 |          |
| 72      | 721350015      | Capacitor                   | 1    | 350V*15UF                    |          |
| 73      | 73436061131    | Screw                       | 3    | Flat hex.M6*113              | SUS-304  |
| 73a     | 73431050121    | Screw                       | 3    | Flat hex.M5*12               | SUS-304  |
| 73b     | 73303040121    | Screw                       | 2    | Round crossM4*12             | SC       |
| 73c     | 73432060301    | Screw                       | 3    | Socket hex.M6*30             | SUS-304  |
| 73d     | 73432100161    | Screw                       | 1    | Socket hex.M10*16            | SUS-304  |
| 73e     | 73431060401    | Screw                       | 3    | Flat hex.M6*40               | SUS-304  |
| 73f     | 73303040081    | Screw                       | 1    | Round crossM4*8              | SC       |
| 74      | 7424305        | Nut                         | 2    | M5                           | SUS-304  |
| 74a     | 7424308        | Nut                         | 3    | M8                           | SUS-304  |
| 75      | 753430005-01   | Spring washer               | 5    | M5                           | SUS-304  |
| 75a     | 752430005      | Washer                      | 2    | M5                           | SUS-304  |
| 75b     | 752430008-01   | Washer                      | 3    | M8*19*1.1T                   | SUS-304  |
| 75c     | 753430006-01   | Spring washer               | 12   | M6                           | SUS-304  |
| 75d     | 752300004-01   | Washer                      | 2    | M4                           | SC       |
| 75e     | 751306202      | Wave washer                 | 2    | 6202                         | SC       |
| 75f     | 752306202-01   | Washer                      | 1    | 6202                         | SC       |
| 75g     | 755430012-01   | Washer                      | 2    | M12                          | SUS-304  |
| 75h     | 753430008-01   | Spring washer               | 1    | M8                           | SUS-304  |
| 77      | 772431-01      | Key                         | 1    | 4*4*10                       | SUS-304  |
| 79      | 79362021       | Bearing                     | 2    | 6202                         |          |
| 81      | 81081031004112 | Cable                       | 1    | H07RN-F 1.0*3C*10M           |          |
| Remarks |                |                             |      |                              |          |
|         |                | O'ring & Gasket sets        | 1    |                              |          |